

MagLev AC Fan



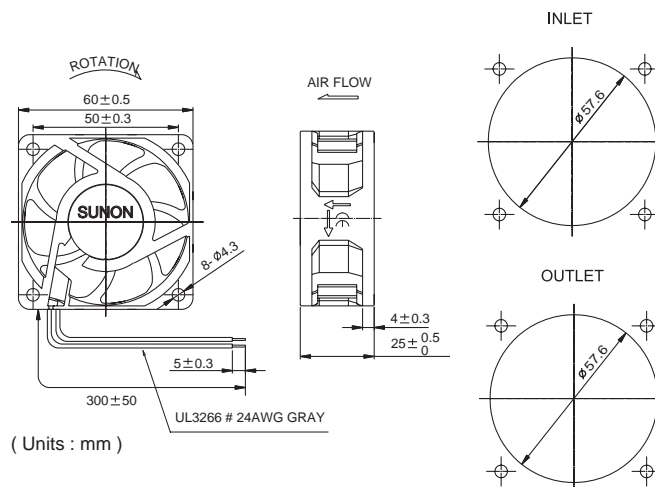
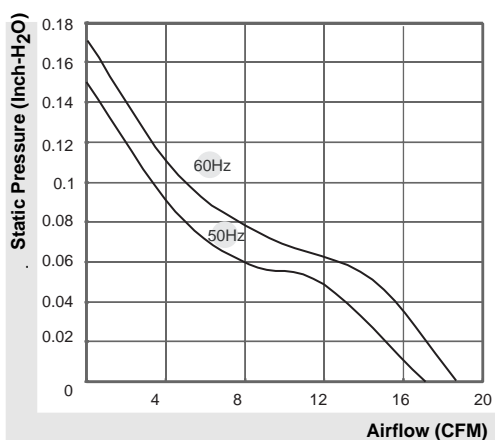
MagLev Motor AC Fan

17 / 19 CFM



Model	P/N	Bearing ● VAPO ⊙ 2BALL	Rating Voltage (VAC)	Freq. (Hz)	Power Current (AMP)	Power Consumption (WATTS)	Speed (RPM)	Air Flow (CFM)	Static Pressure (Inch-H ₂ O)	Noise (dBA)	Weight (g)
MA1062-HVL	GN	●	115	50/60	0.12/0.12	3.6/3.6	3600/3700	17/19	0.15/0.17	25/27	80
MA2062-HVL	GN	●	230	50/60	0.10/0.10	3.8/3.8	3600/3700	17/19	0.15/0.17	25/27	80

Frame : PBT Plastic



*All model could be customized on voltage or any other requirements to fit your need.

*Specifications subject to change without notice. Please Visit SUNON web site at <http://www.sunon.com> for update information.

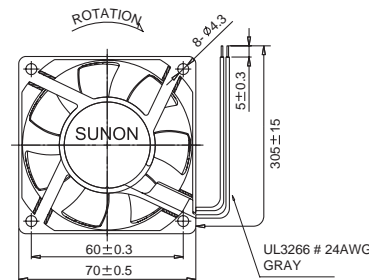
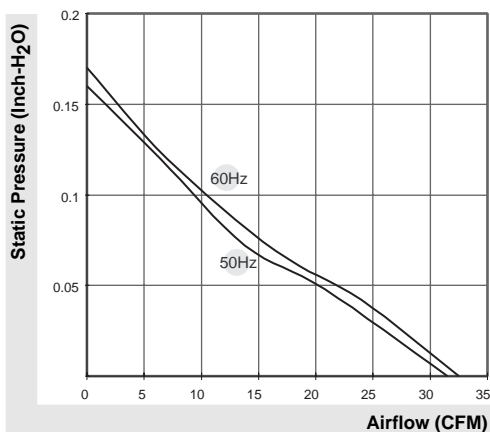
MagLev Motor AC Fan

32 / 33 CFM

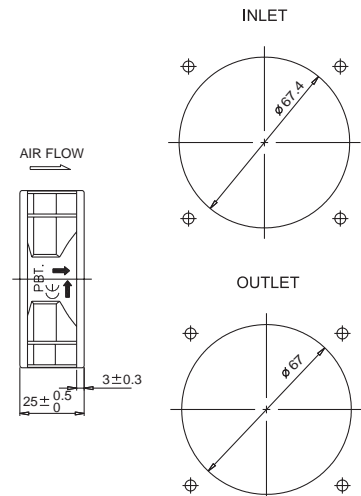


Model	P/N	Bearing ● VAPO ⊙ 2BALL	Rating Voltage (VAC)	Freq. (Hz)	Power Current (AMP)	Power Consumption (WATTS)	Speed (RPM)	Air Flow (CFM)	Static Pressure (Inch-HzO)	Noise (dBA)	Weight (g)
MA1072-HVL	GN	●	115	50/60	0.12/0.12	3.6/3.6	3400/3600	32/33	0.16/0.17	34.5/41	86
MA2072-HVL	GN	●	230	50/60	0.10/0.10	3.8/3.8	3400/3600	32/33	0.16/0.17	34.5/41	86

Frame : PBT Plastic



(Units : mm)



*All model could be customized on voltage or any other requirements to fit your need.

*Specifications subject to change without notice. Please Visit SUNON web site at <http://www.sunon.com> for update information.

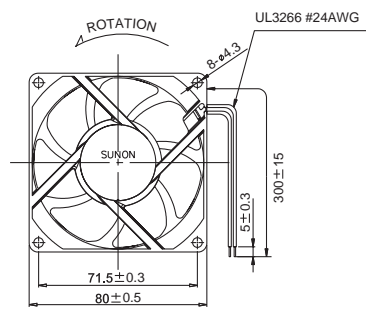
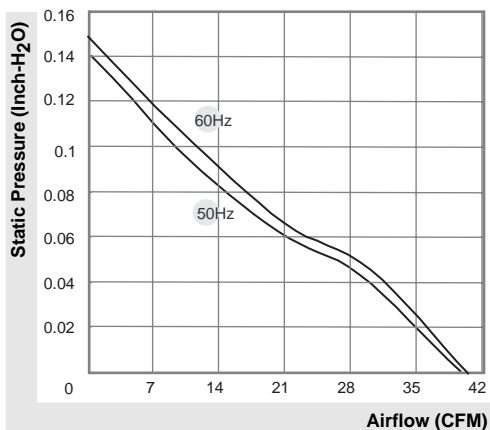
MagLev Motor AC Fan

40 / 41 CFM

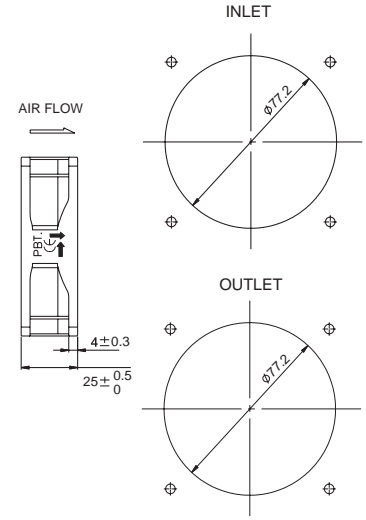


Model	P/N	Bearing ● VAPO ⊙ 2BALL	Rating Voltage (VAC)	Freq. (Hz)	Power Current (AMP)	Power Consumption (WATTS)	Speed (RPM)	Air Flow (CFM)	Static Pressure (Inch-HzO)	Noise (dBA)	Weight (g)
MA1082-HVL	GN	●	115	50/60	0.11/0.11	3.6/3.6	3200/3300	40/41	0.14/0.15	32/33	102.2
MA2082-HVL	GN	●	230	50/60	0.10/0.10	4.0/4.0	3200/3300	40/41	0.14/0.15	32/33	102.2

Frame : PBT Plastic



(Units : mm)



*All model could be customized on voltage or any other requirements to fit your need.

*Specifications subject to change without notice. Please Visit SUNON web site at <http://www.sunon.com> for update information.

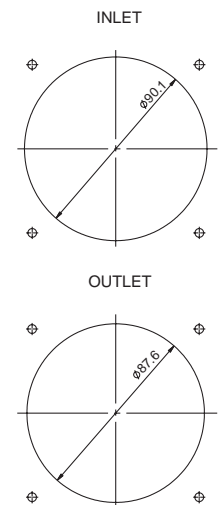
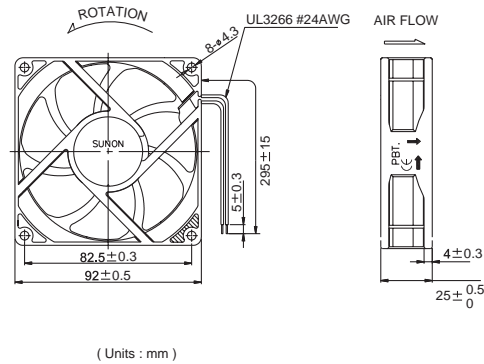
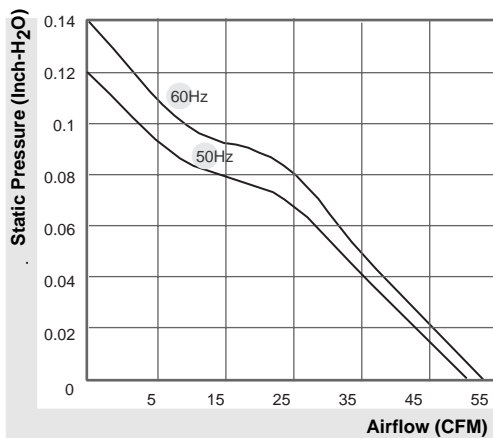
MagLev Motor AC Fan

52 / 54 CFM



Model	P/N	Bearing ● VAPO ⊙ 2BALL	Rating Voltage (VAC)	Freq. (Hz)	Power Current (AMP)	Power Consumption (WATTS)	Speed (RPM)	Air Flow (CFM)	Static Pressure (Inch-H ₂ O)	Noise (dBA)	Weight (g)
MA1092-HVL	GN	●	115	50/60	0.11/0.12	3.6/3.6	2900/3000	52/54	0.12/0.14	31/32	119.7
MA2092-HVL	GN	●	230	50/60	0.10/0.10	4.0/4.0	2900/3000	52/54	0.12/0.14	31/32	119.7

Frame : PBT Plastic



*All model could be customized on voltage or any other requirements to fit your need.

*Specifications subject to change without notice. Please Visit SUNON web site at <http://www.sunon.com> for update information.